

staron[®] | Solid
Surfaces

Sink & Bowl Series

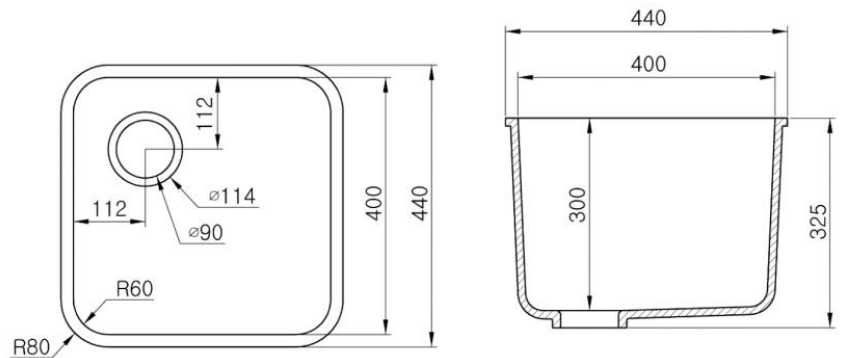
staron[®] Sink Series



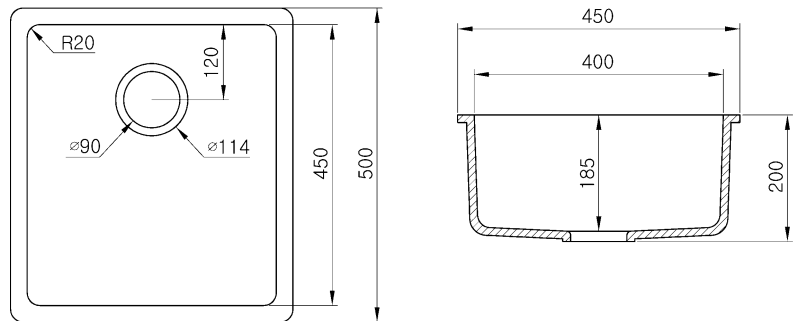
Bright White
(BW010)*

*Warehouse stock

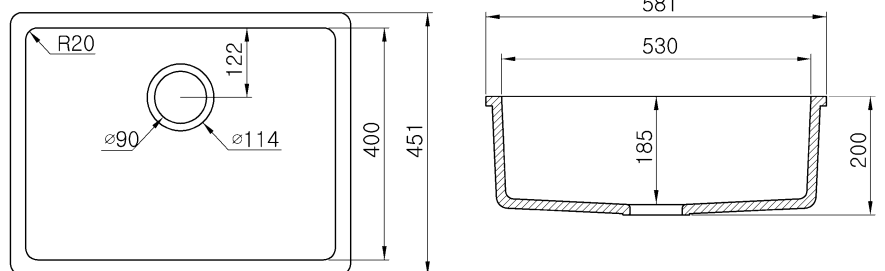
B1160 **NEW**



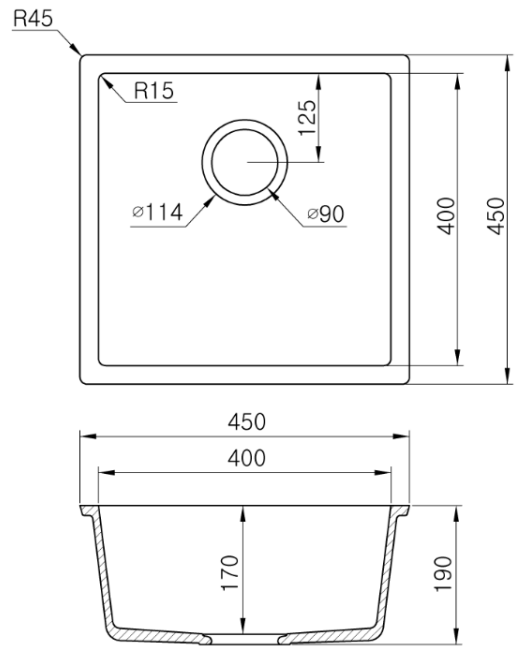
B1177 **NEW**



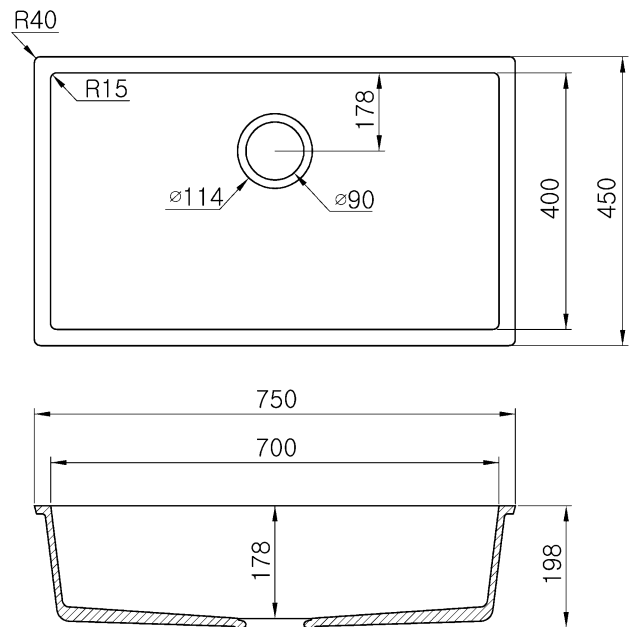
B1212 **NEW**



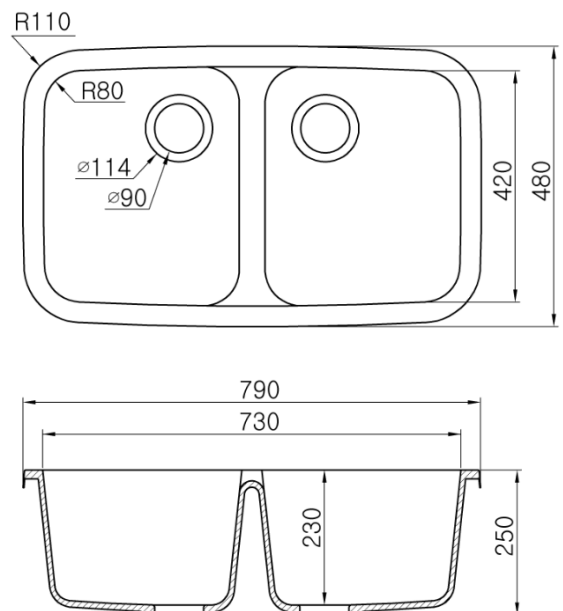
B3180



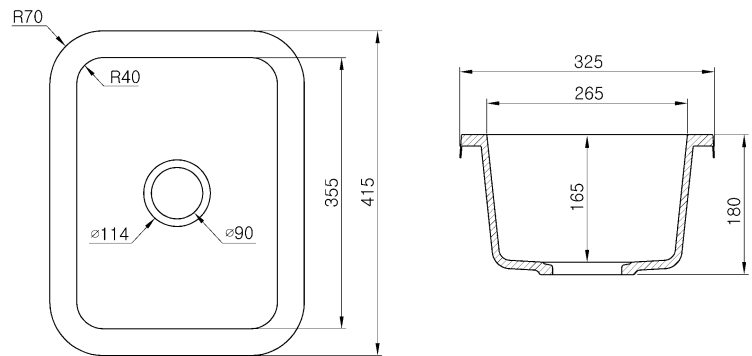
B3290



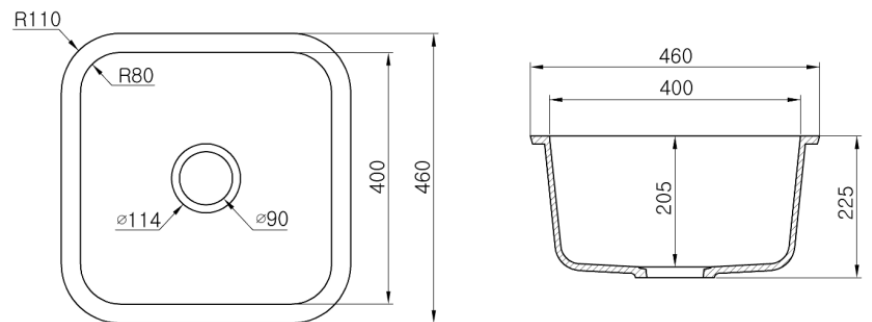
A2311



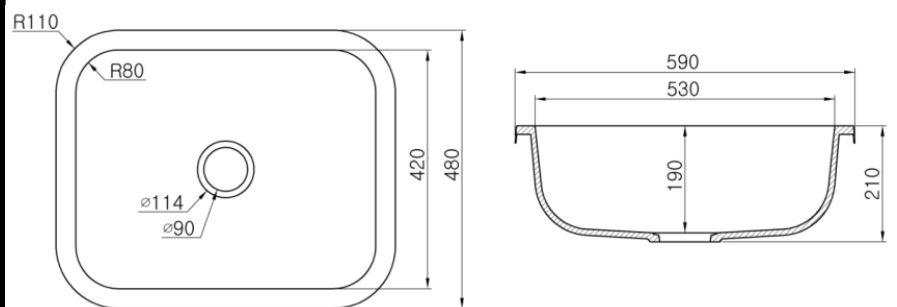
A1121



A1181



A1231



An integral sink will improve the ergonomics and hygiene of a kitchen or bathroom area, particularly regarding interior commercial applications. Staron's 100% acrylic sinks and bowls are installed in combination with Staron's sheet materials as part of a continuous surface featuring a flawless and seamless, uninterrupted fit. This translates as no gaps or crevices for bacteria or mould to accumulate and grow. Whichever style you choose, Staron's non-porous, hygienic surfaces will always be easy to clean and maintain.

staron® Bowl Series

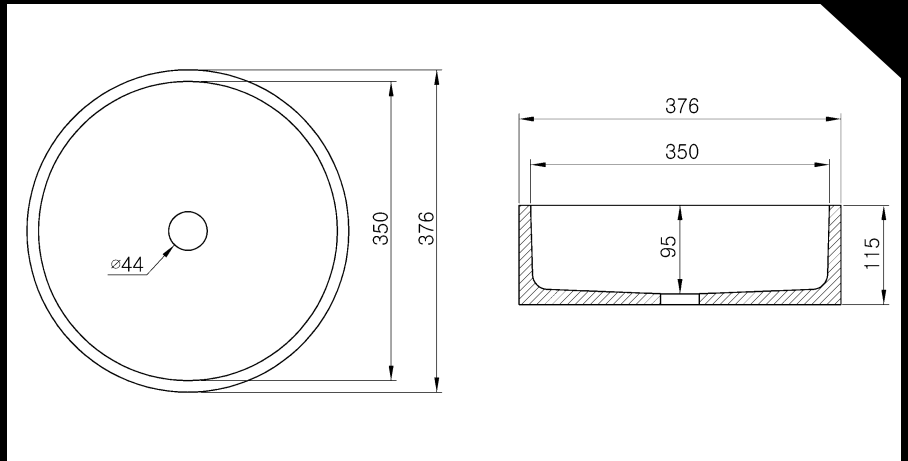


Bright White
(BW010)*

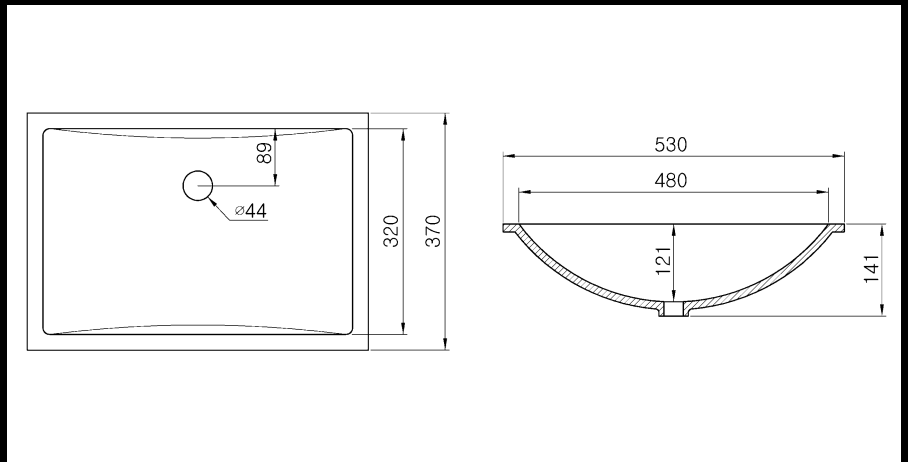
- Overflow Options:
Non*, Back*, Front

*Warehouse stock

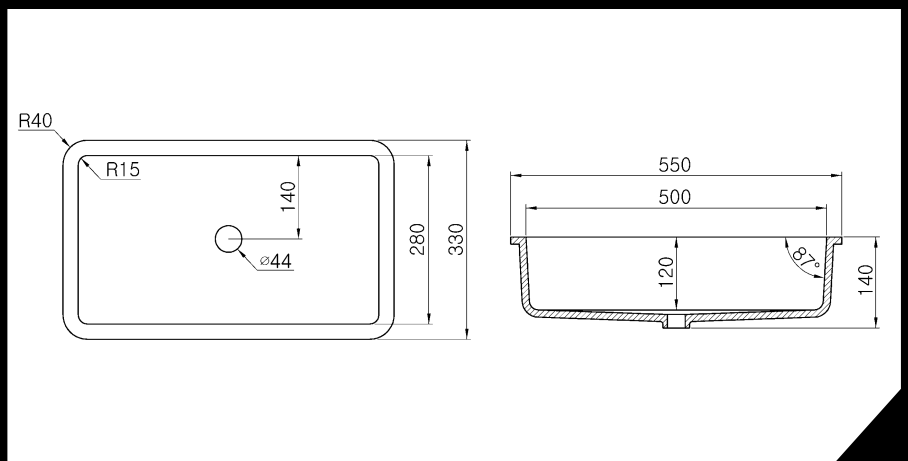
A3148 **NEW**



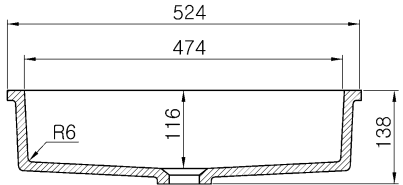
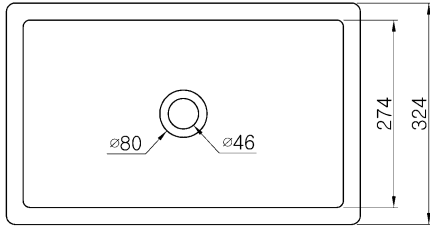
B3192 **NEW**



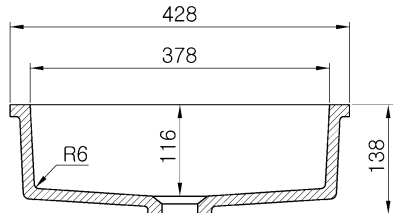
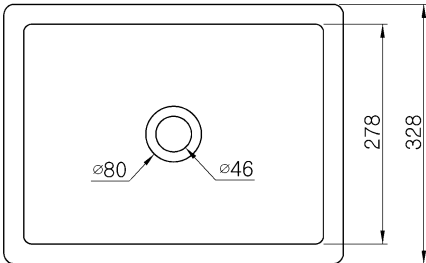
B3200 **NEW**



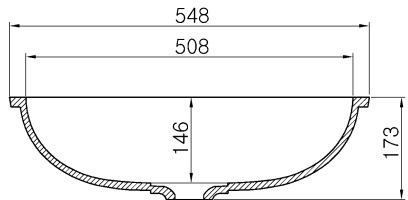
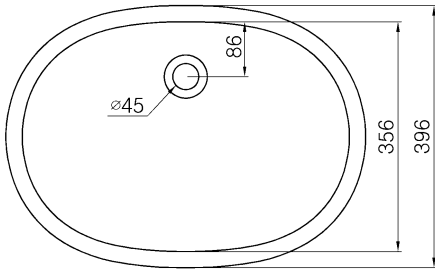
B3190



B3150



A3211



A3181

